



UNITED STATES PATENT AND TRADEMARK OFFICE

UNITED STATES DEPARTMENT OF COMMERCE
United States Patent and Trademark Office
Address: COMMISSIONER FOR PATENTS
P.O. Box 1450
Alexandria, Virginia 22313-1450
www.uspto.gov

APPLICATION NO.	U.S.PATENT NO.	ISSUE DATE	FIRST NAMED INVENTOR
35/513,203	D,978,464	02/14/2023	Dahong GONG

World Intellectual Property Organization
34, chemin des Colombettes, P.O. Box 18
1211 Geneva 20, Switzerland

DATE: 02/14/2023

STATEMENT OF GRANT OF PROTECTION

(Rule 18bis of the Common Regulations under the Hague Agreement)

The above-identified U.S. patent issued from an international design application. The international registration number corresponding to the international design application is:

DM/216843

The International Bureau is hereby notified that upon issuance of the above-referenced U.S. patent protection is granted in the United States to those industrial design or designs that are the subject of the international registration, as received from the International Bureau or, where applicable, as amended before the Office, and covered by the patent. A copy of the above-identified U.S. patent is communicated with and forms part of this statement.



US00D978464S

(12) **United States Design Patent**
Gong et al.

(10) **Patent No.:** **US D978,464 S**

(45) **Date of Patent:** **** Feb. 14, 2023**

(54) **SWEEPING ROBOT**

(71) Applicant: **Beijing Roborock Technology Co., Ltd.**, Beijing (CN)

(72) Inventors: **Dahong Gong**, Beijing (CN);
Hongliang Xu, Beijing (CN)

(**) Term: **15 Years**

(21) Appl. No.: **35/513,203**

(22) Filed: **Jun. 25, 2021**

(80) **Hague Agreement Data**

Int. Filing Date: **Jun. 25, 2021**
Int. Reg. No.: **DM/216843**
Int. Reg. Date: **Jun. 25, 2021**
Int. Reg. Pub. Date: **Oct. 22, 2021**

(30) **Foreign Application Priority Data**

Jan. 4, 2021 (CN) 202130002204.X

(51) **LOC (14) Cl.** **15-05**

(52) **U.S. Cl.**
USPC **D32/21**

(58) **Field of Classification Search**
USPC D32/15-24, 31-34
CPC A47L 9/2868; A47L 9/00; A47L 11/20;
A47L 11/30; A47L 11/40; A47L 9/009;
A47L 9/2805; A47L 9/22; A47L 11/4061
See application file for complete search history.

(56) **References Cited**

U.S. PATENT DOCUMENTS

D840,617 S * 2/2019 Dou D32/21
10,394,248 B2 * 8/2019 Cao A47L 9/2805
D867,701 S * 11/2019 Mi D32/31
D869,109 S * 12/2019 Yu D32/21
10,725,477 B2 * 7/2020 Nan G05D 1/0238
D901,110 S * 11/2020 Li A47L 9/009
D32/21

D917,117 S * 4/2021 Cao D32/21
D919,211 S * 5/2021 Chang D32/21
D919,910 S * 5/2021 Li D32/21
D921,308 S * 6/2021 Cao D32/21
D921,309 S * 6/2021 Liu D32/21
D922,011 S * 6/2021 Ren D32/21
D927,108 S * 8/2021 Choi D32/21

(Continued)

FOREIGN PATENT DOCUMENTS

CN 304926998 * 12/2018
CN 305211139 * 6/2019

(Continued)

OTHER PUBLICATIONS

Roborock S7 review—Ultra efficient two-in-one cleaning (on-line), reviewed Mar. 24, 2021. Retrieved from Internet Aug. 25, 2022, URL: <https://www.zdnet.com/product/roborock-s7-robot-vacuum/> (3 pages) (Year: 2021).*

(Continued)

Primary Examiner — Kimberly Barnes
(74) *Attorney, Agent, or Firm* — Morgan, Lewis & Bockius LLP

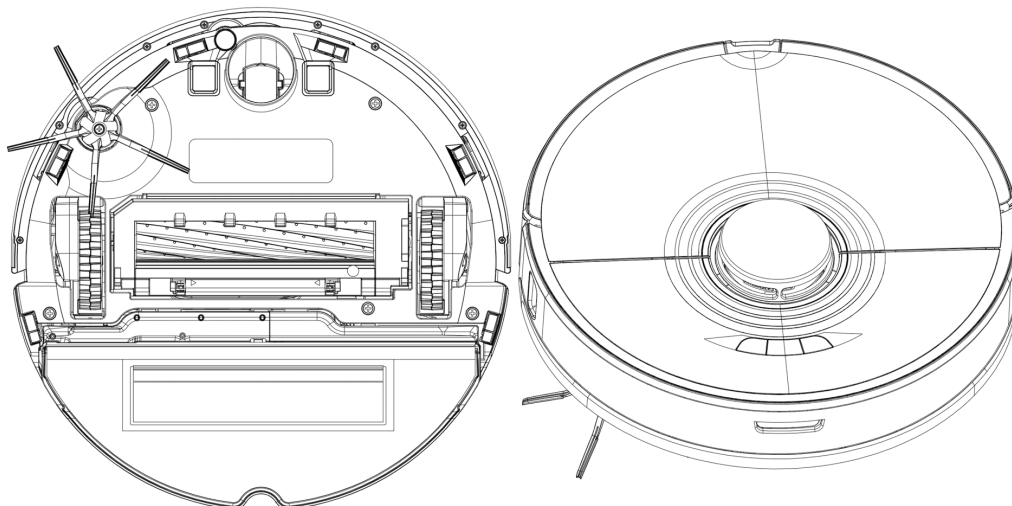
(57) **CLAIM**

We claim the ornamental design for a sweeping robot, as shown and described.

DESCRIPTION

1.1 is a front view of a sweeping robot showing our new design;
1.2 is a back view thereof;
1.3 is a left view thereof;
1.4 is a right view thereof;
1.5 is a top view thereof;
1.6 is a bottom view thereof; and
1.7 is a perspective view thereof.

1 Claim, 7 Drawing Sheets



(56)

References Cited

U.S. PATENT DOCUMENTS

D929,690 S * 8/2021 Cheng A47L 9/009
D15/199
D935,712 S * 11/2021 Wang D32/21
D938,116 S * 12/2021 Yu D32/21
D940,771 S * 1/2022 Xie A47L 9/009
D15/199
D965,241 S * 9/2022 Tan D32/21
D965,932 S * 10/2022 Li D32/21
2020/0288934 A1 * 9/2020 Li A47L 11/4083
2022/0095870 A1 * 3/2022 Zheng A47L 11/4011
2022/0202268 A1 * 6/2022 Wang A47L 11/4083

FOREIGN PATENT DOCUMENTS

CN 305402615 S 10/2019
CN 305716261 S 4/2020
CN 305781572 S 5/2020
CN 305921299 S 7/2020
CN 305997239 S 8/2020
CN 305997262 S 8/2020
CN 306155886 S 11/2020
JP D1668715 * 9/2020
TW 219026-0001 * 9/2021
WO WO-D219178-001 * 2/2022
WO WO-D219531-001 * 3/2022

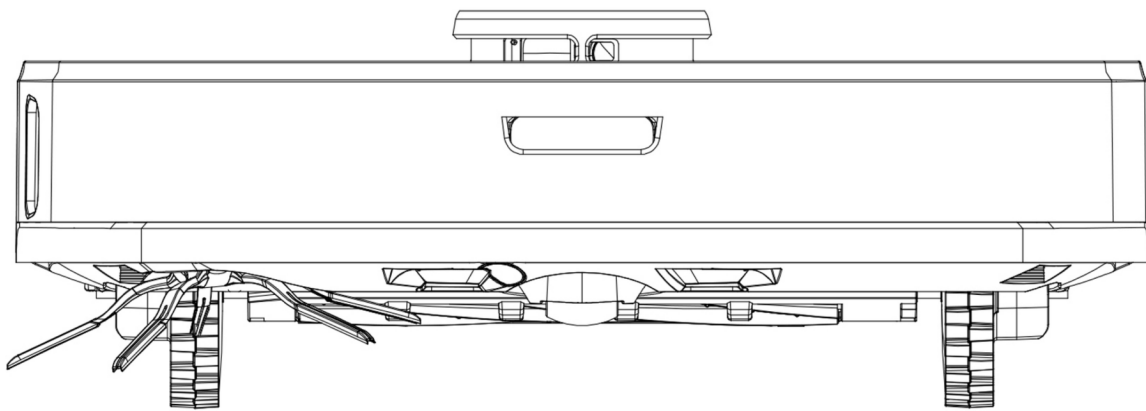
OTHER PUBLICATIONS

VibraRise trademark registration 1582602 with a priority of Nov. 19, 2020.

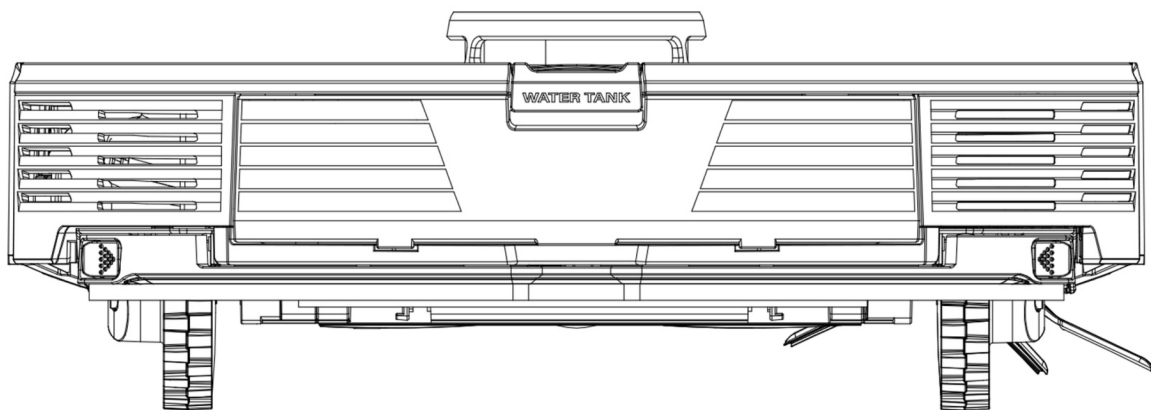
Office Action issued in corresponding Russian Patent Application No. 2022501381/49 dated Jul. 7, 2022.

* cited by examiner

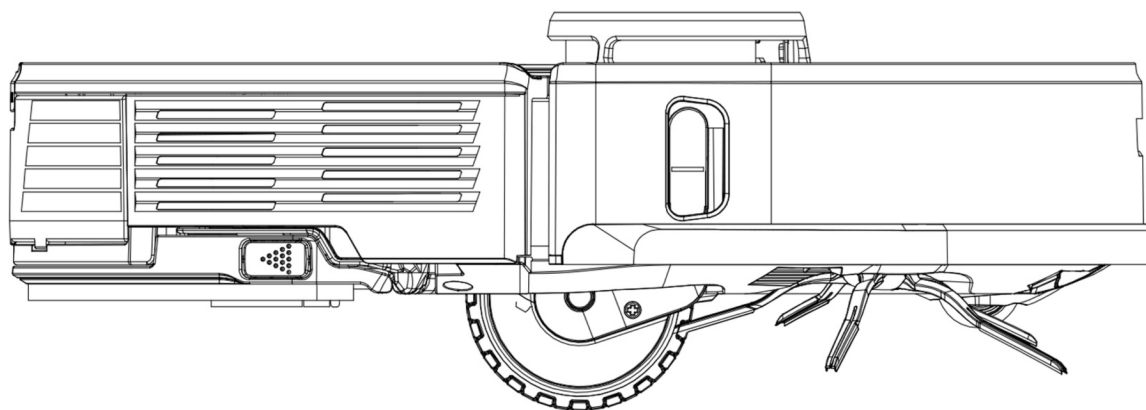
1.1



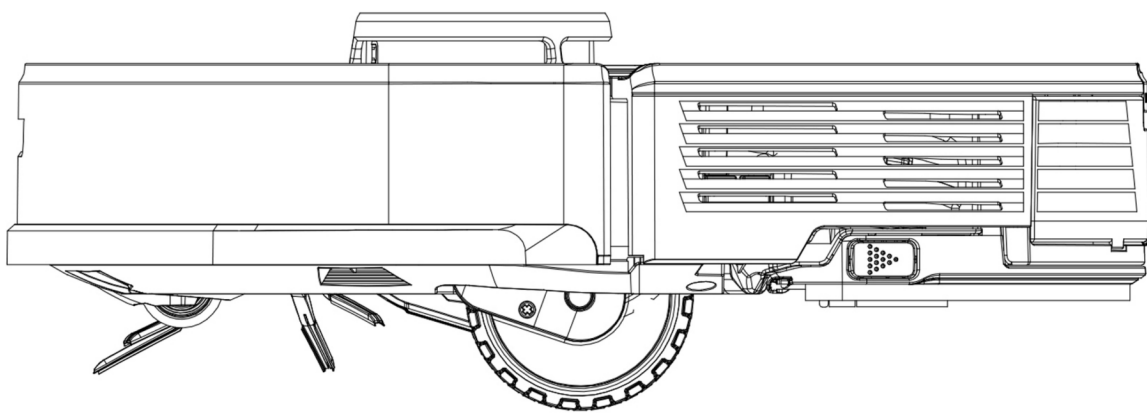
1.2



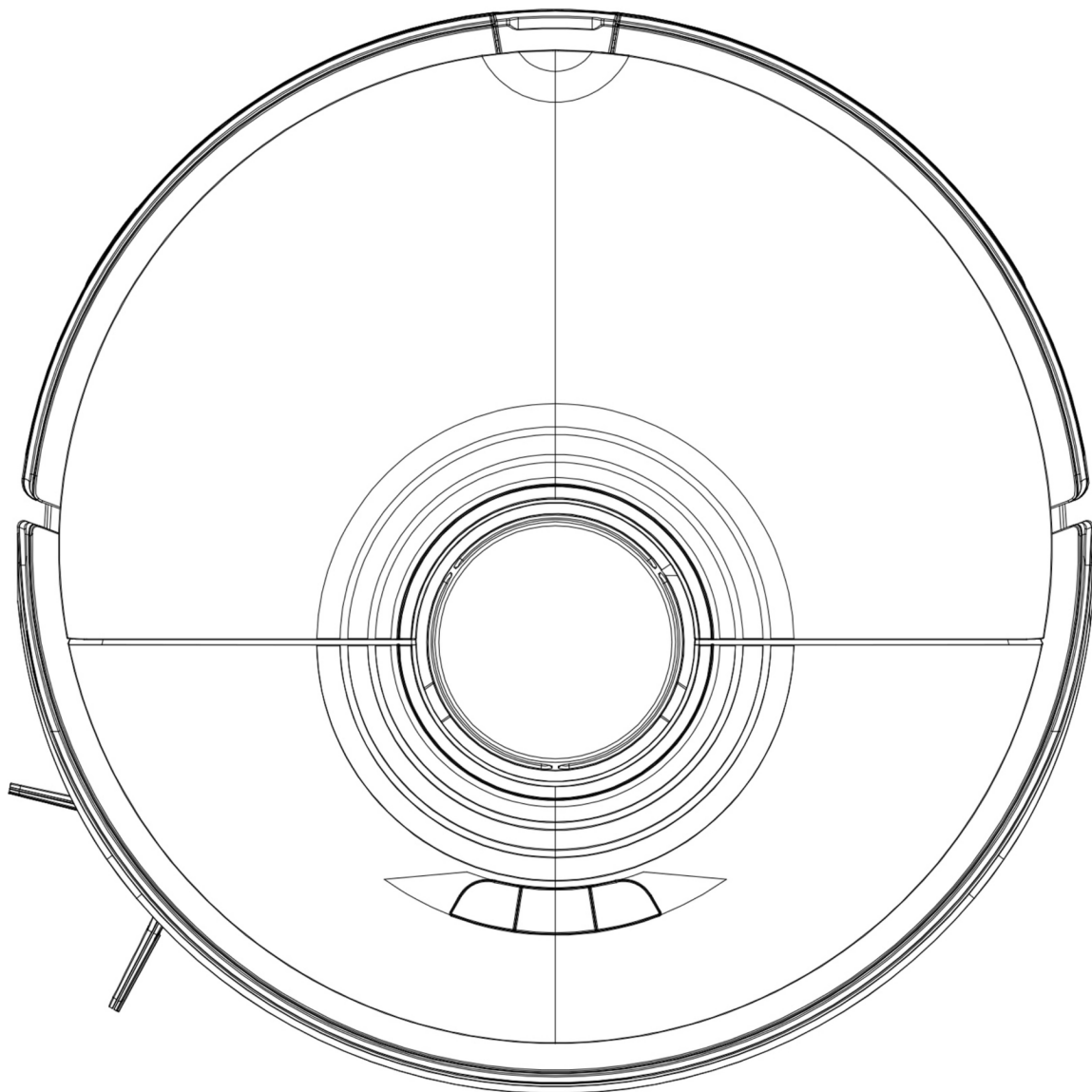
1.3



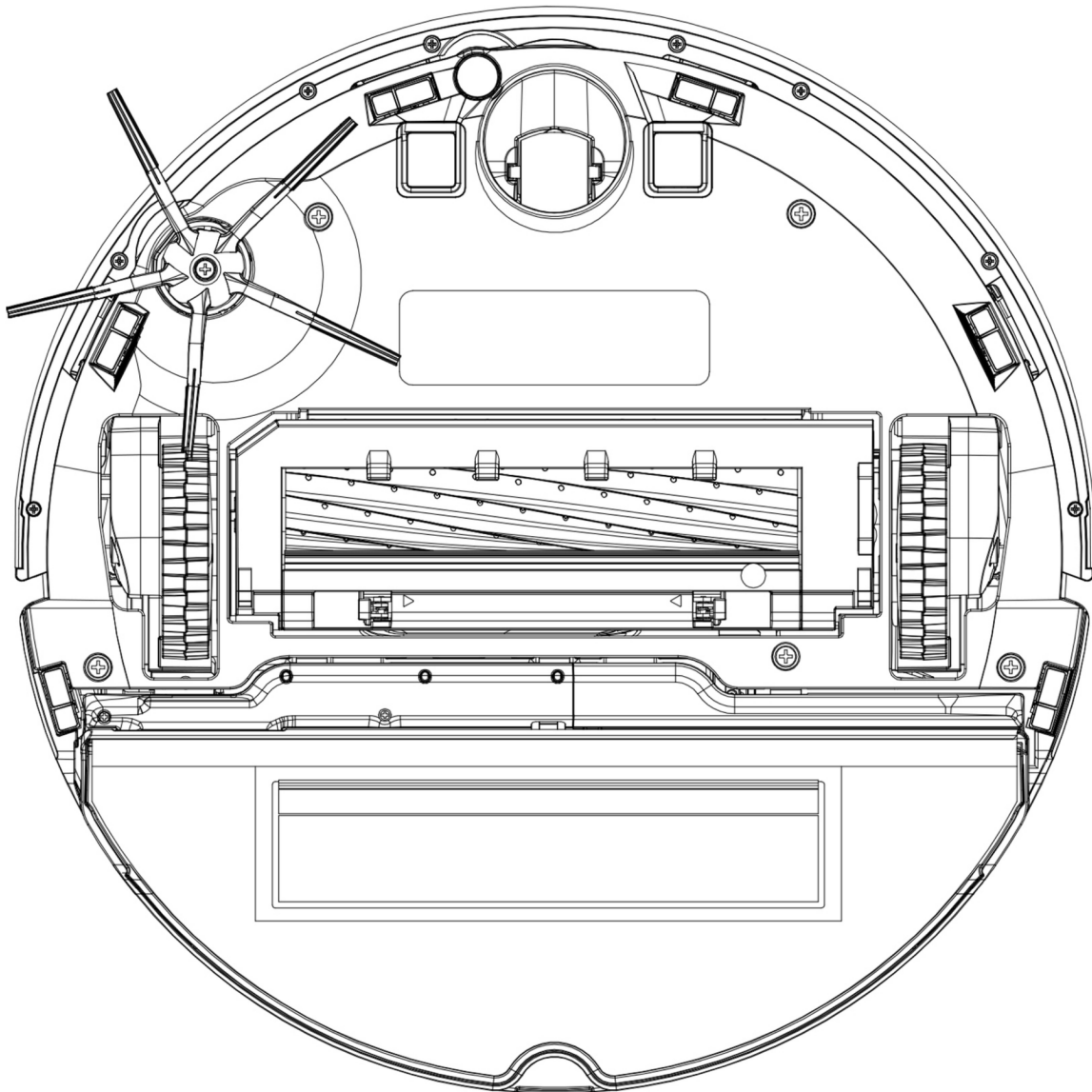
1.4



1.5



1.6



1.7

